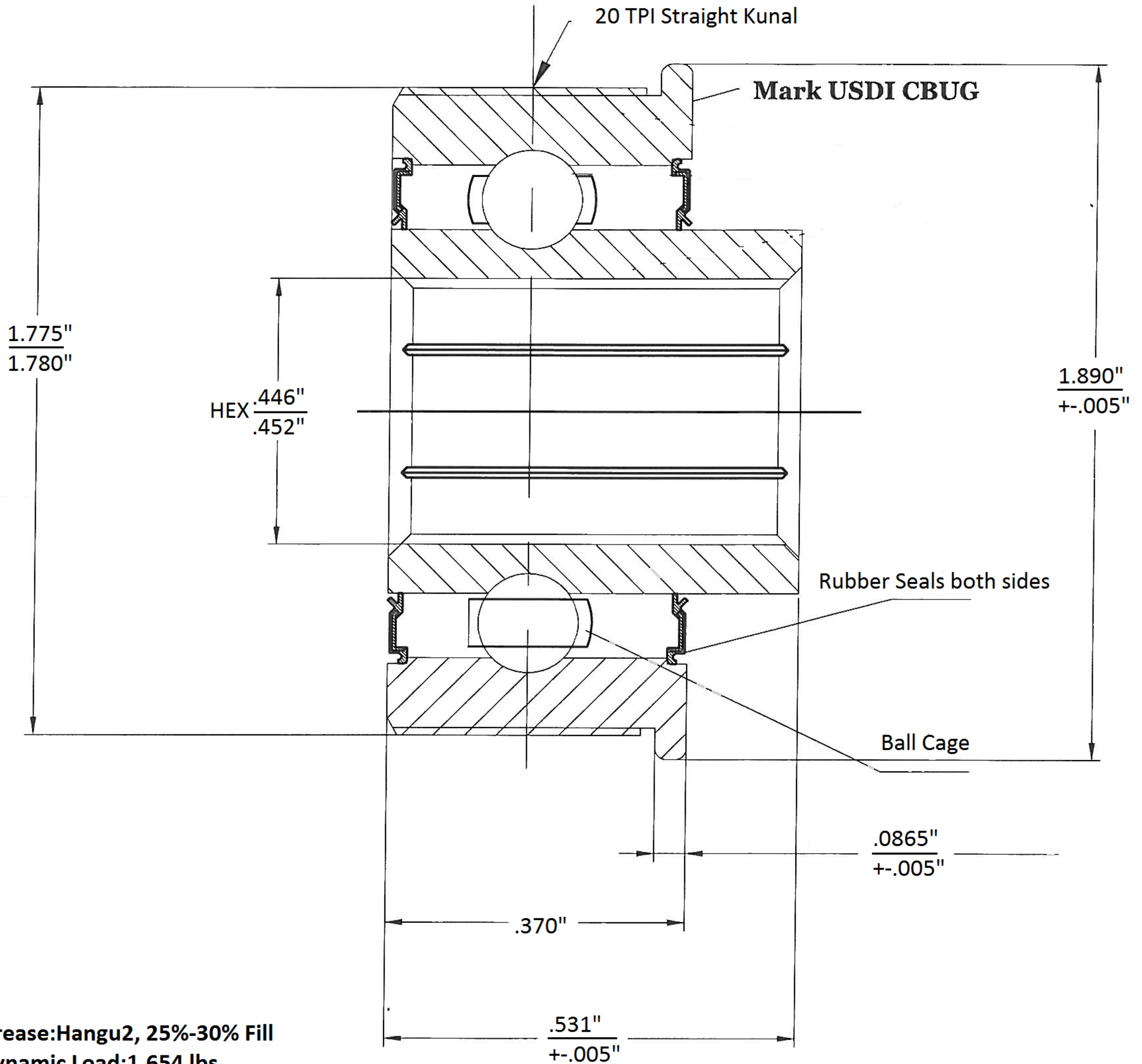


CBUG1.9-2RSK



Grease:Hangu2, 25%-30% Fill
Dynamic Load:1,654 lbs
Static Load:1,007 lbs