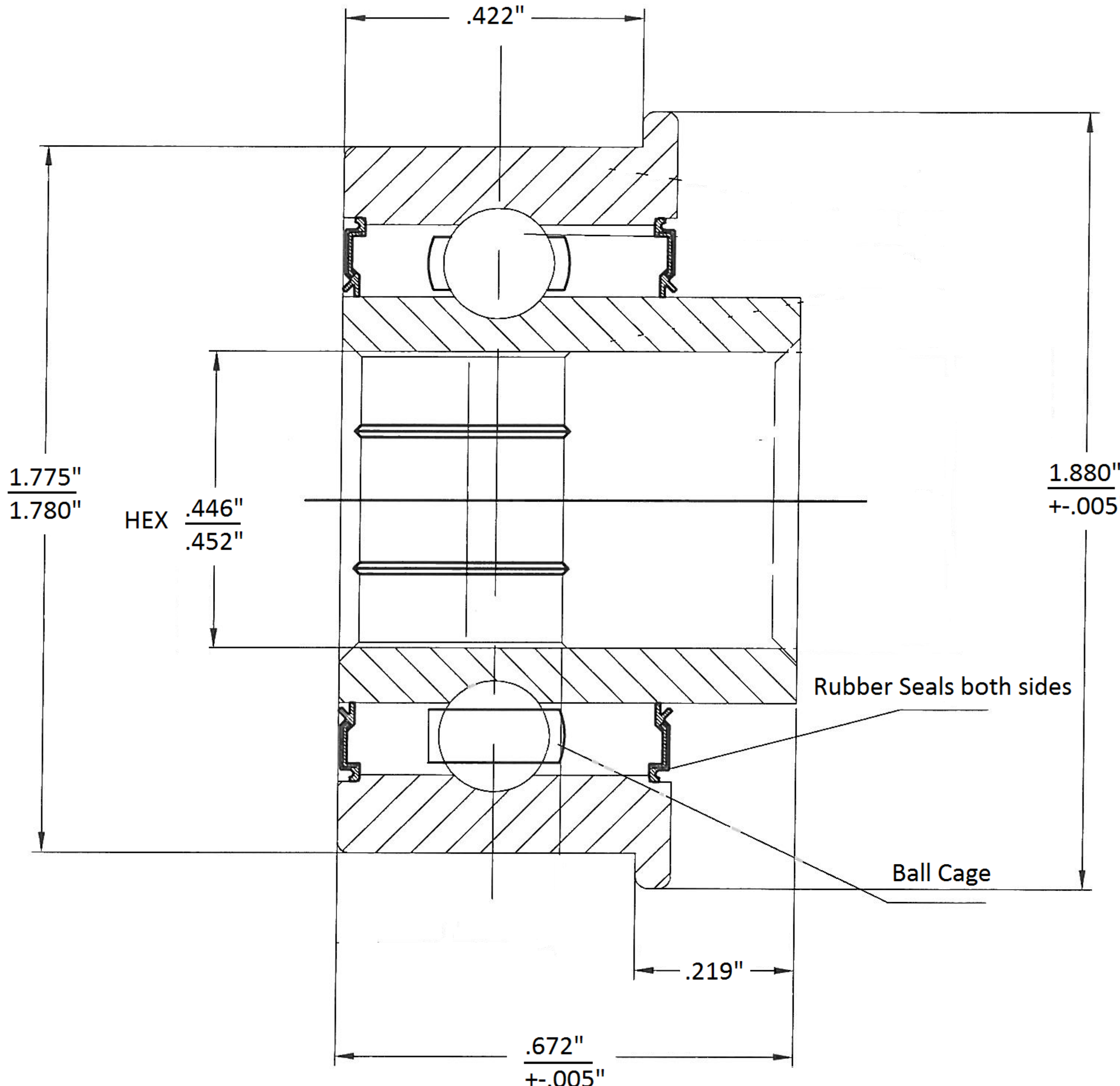


# SP1.9SS



Grease: Mobil FM222, 25%-30% Fill  
Dynamic Load: 2,058 lbs  
Static Load: 1,143 lbs