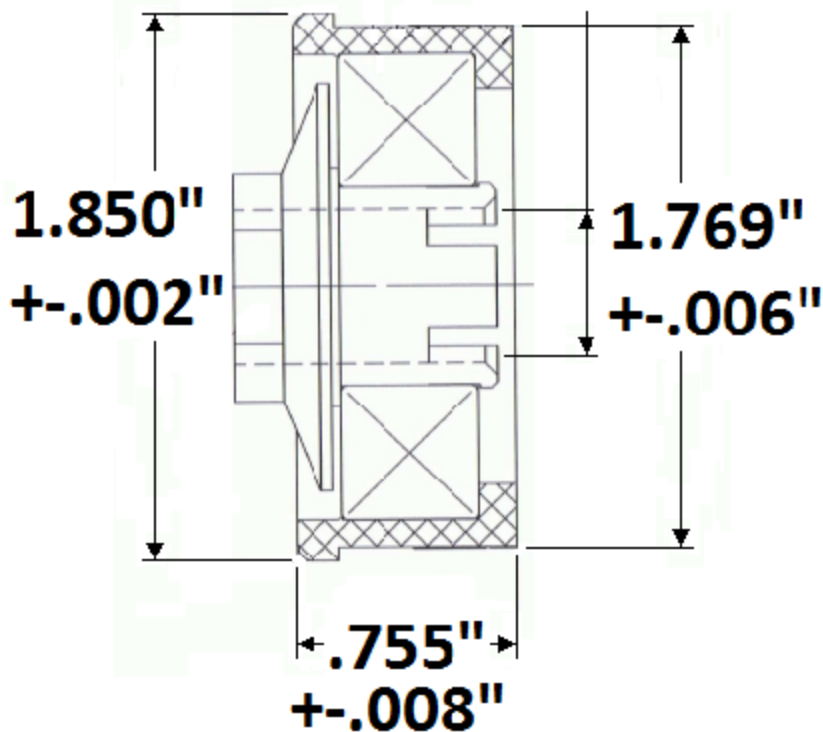


**.453" Hex**

**+-.008"**



**PCBH12-16-7**

Load Rating 350 Lbs. Core Brg. 6203-ZZ